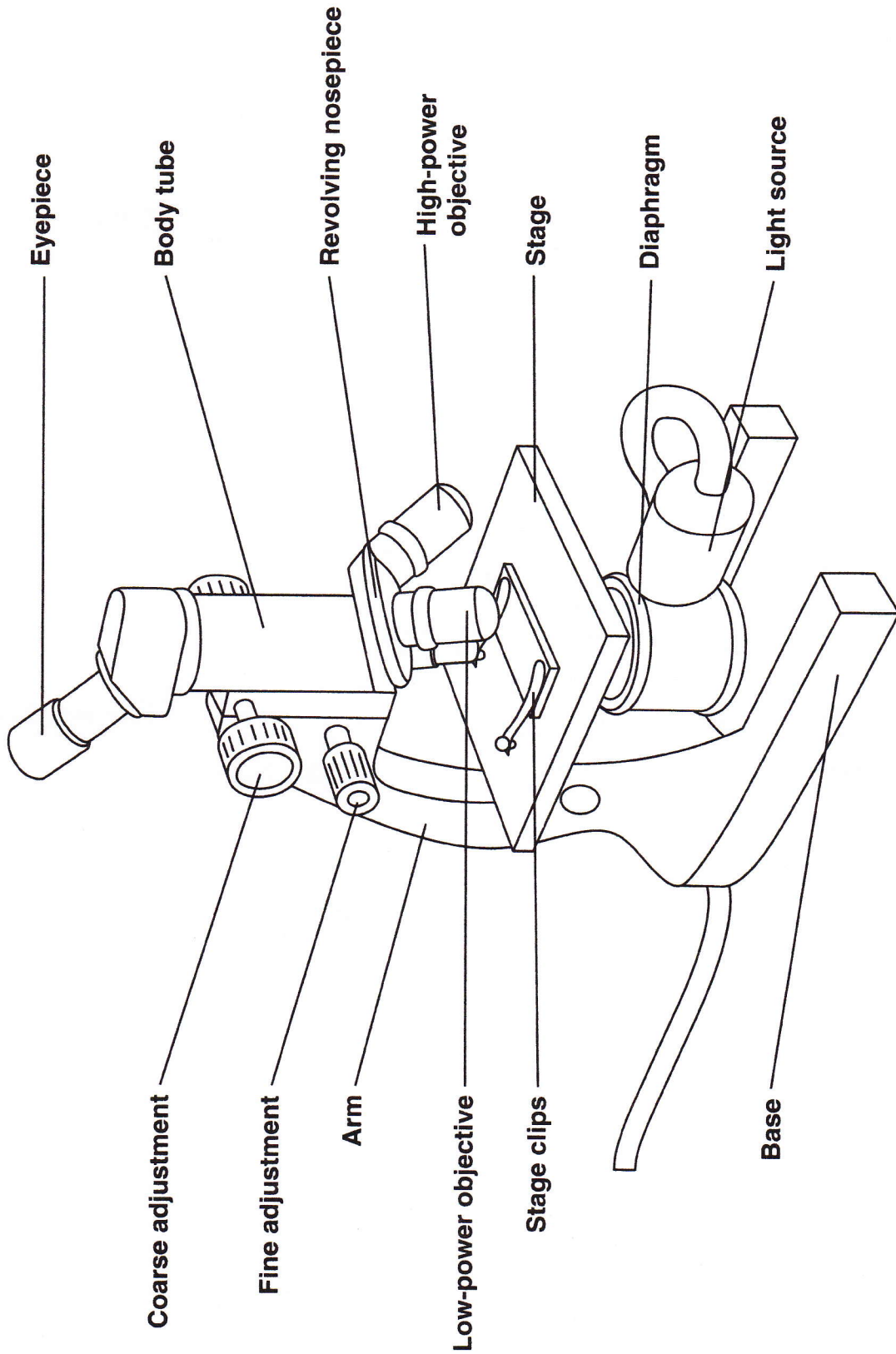


TRANSPARENCY 15 THE OPTICAL MICROSCOPE



TRANSPARENCY**15****THE OPTICAL MICROSCOPE**

1. What is the function of the diaphragm? _____

2. If you want to change the objective lens through which you are viewing a specimen, what must you do? _____

3. What knob is turned to focus an image under low power? _____

4. What is the purpose of having a light source on a microscope? _____

5. Explain the significance of the term *compound* in describing a modern light microscope. _____

6. Identify the parts of the microscope that are used for supporting the specimen and holding it in place.

7. If the magnifying power of an eyepiece is $10\times$ and that of an objective is $45\times$, by how much is the specimen seen through this combination of lenses magnified? _____

8. What is the fundamental difference between a compound microscope and the simple microscope that van Leeuwenhoek used in the 1600s to describe living cells? _____

9. What major advantage does a transmission electron microscope have over a compound light microscope? What is its major disadvantage? _____

